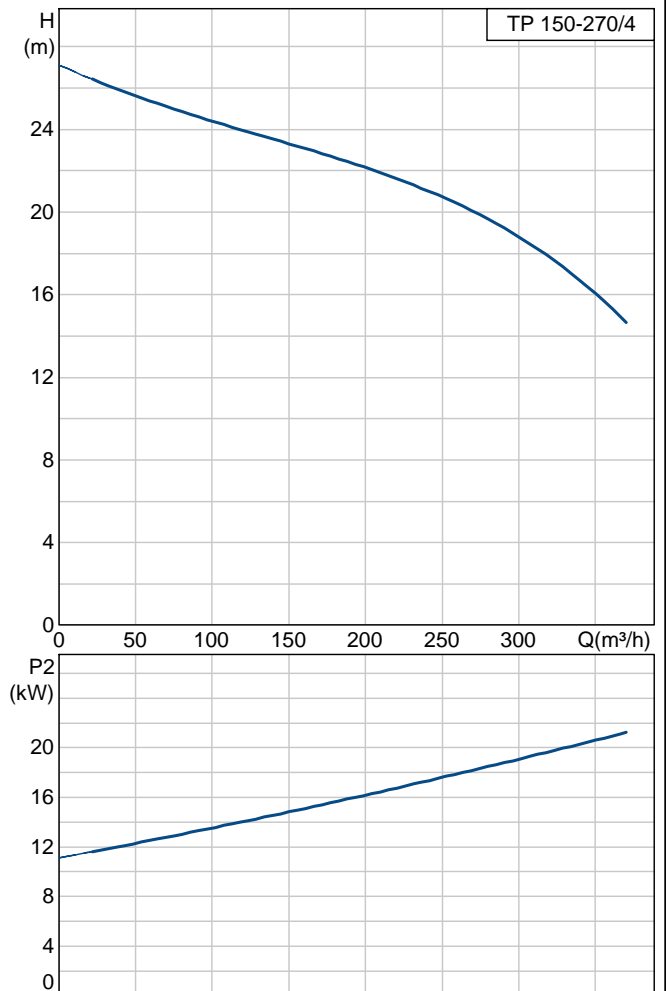
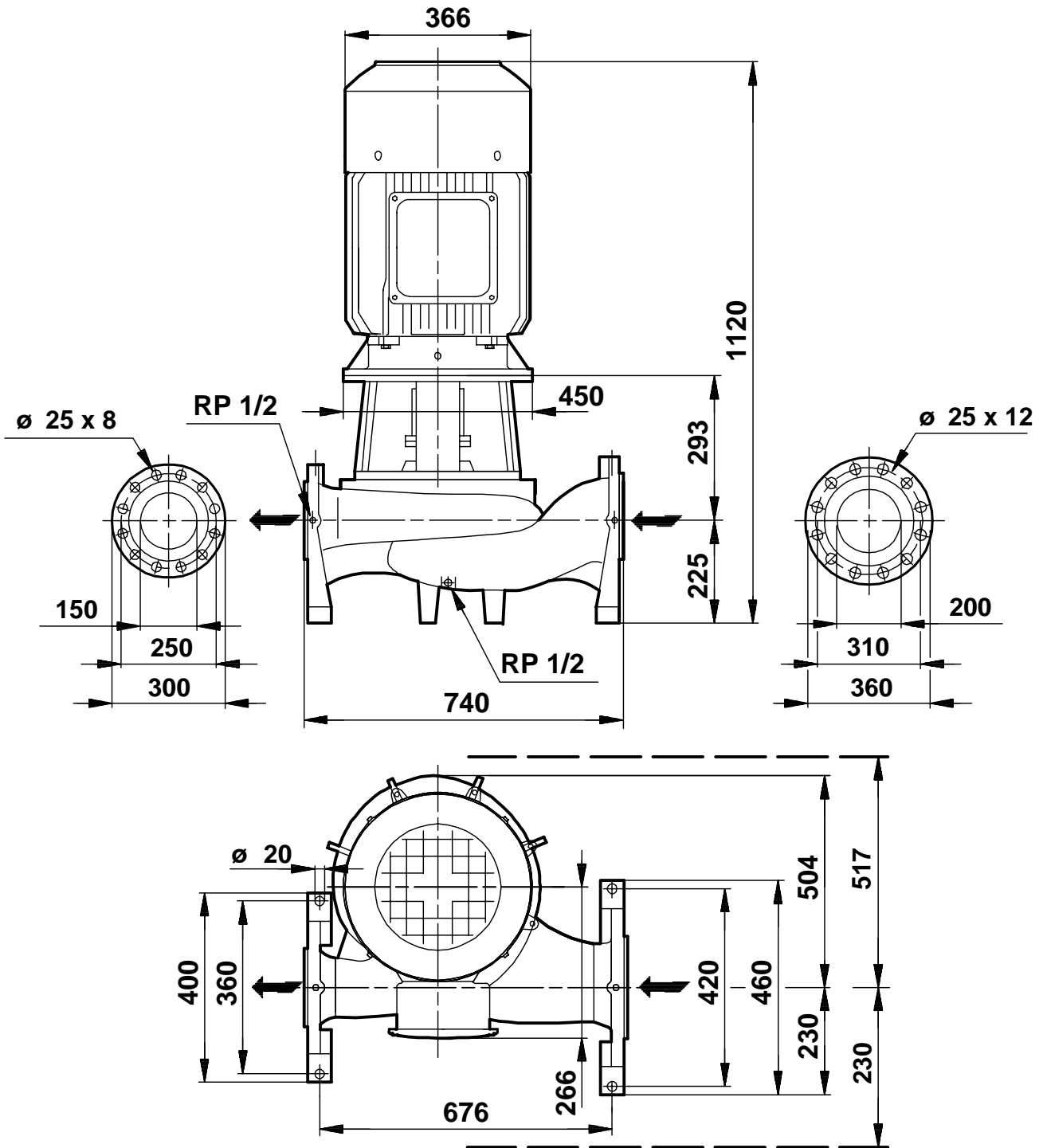


Description	Value
Product name:	TP 150-270/4
Product No:	96162099
EAN number:	5700397223154
Technical:	
Speed for pump data:	1465 rpm
Rated flow:	230 m ³ /h
Rated head:	22 m
Head max:	270 dm
Type of shaft seal:	DBUE
Curve tolerance:	ISO 9906 Annex A
Pump version:	A
Materials:	
Material, pump housing:	Ductile cast iron EN-JS1020 DIN W.-Nr. A 395 ASTM
Material, impeller:	Ductile cast iron EN-JS1030 DIN W.-Nr. A 536 60-40-18 ASTM
Material code:	A
Installation:	
Maximum ambient temperature:	60 °C
Maximum operating pressure:	25 bar
Standard, pipe connection:	DIN
Connect code:	F
Size, pipe connection:	DN 150
Pressure stage, pipe connec.:	PN 25
Port-to-port length:	740 mm
Flange size for motor:	FF300
Liquid:	
Liquid temperature range:	0 .. 140 °C
Electrical data:	
Motor type:	MMG180L
Efficiency class:	1
Number of poles:	4
P2:	22 kW
Mains frequency:	50 Hz
Rated voltage:	3 x 380-415 D / 660-690 Y V
Rated current:	42.5 / 24.5 A
Starting current:	780 %
Cos phi - power factor:	0,85
Rated speed:	1465 rpm
Full load motor efficiency:	92,6 %
Enclosure class (IEC 34-5):	IP55
Insulation class (IEC 85):	F
Motor protec:	PTC
Motor No:	83215230
Others:	
Net weight:	425 kg
Gross weight:	447 kg
Shipping volume:	1.22 m ³





Note! All units are in [mm] unless others are stated.