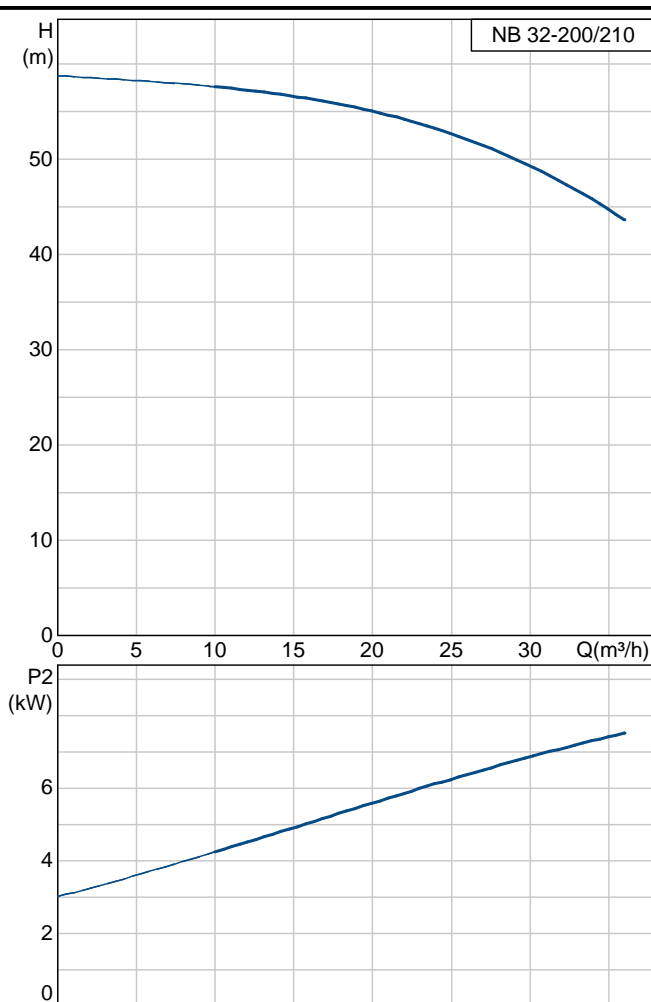
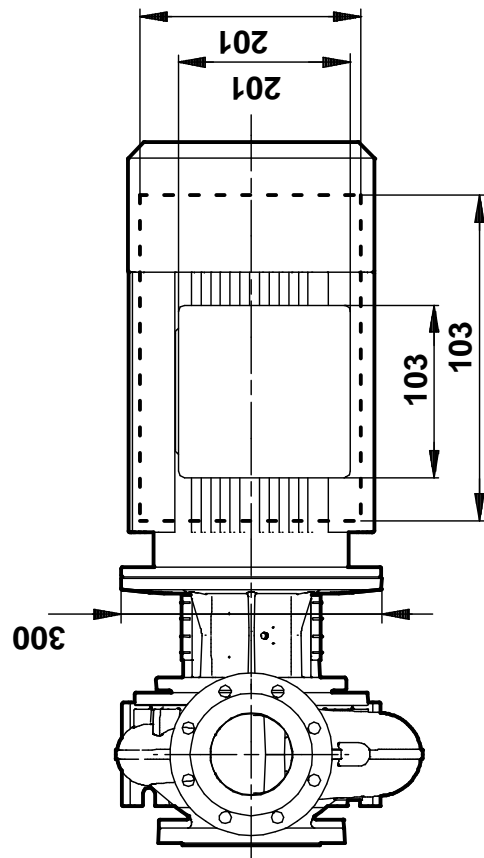
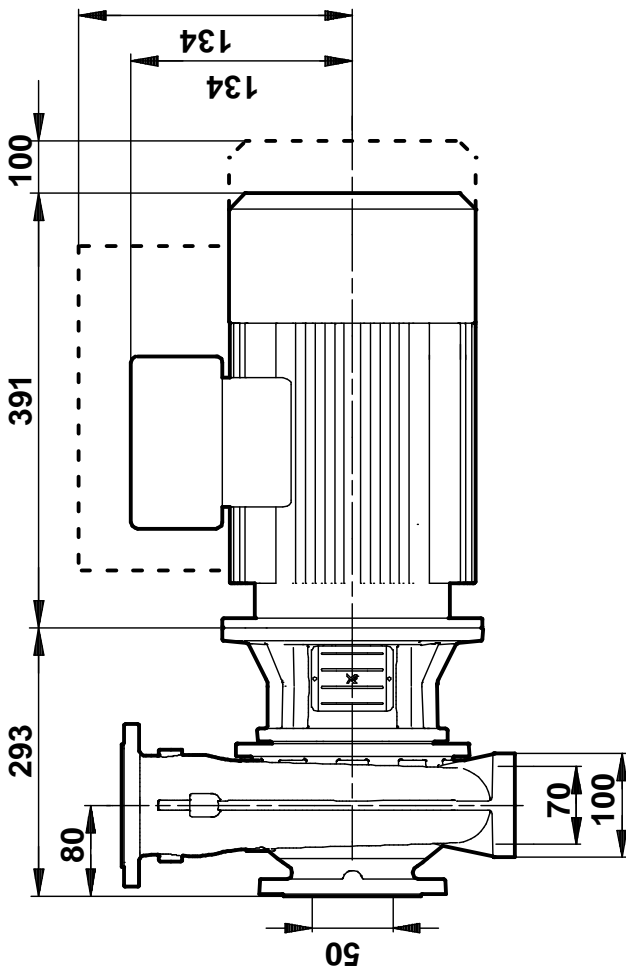
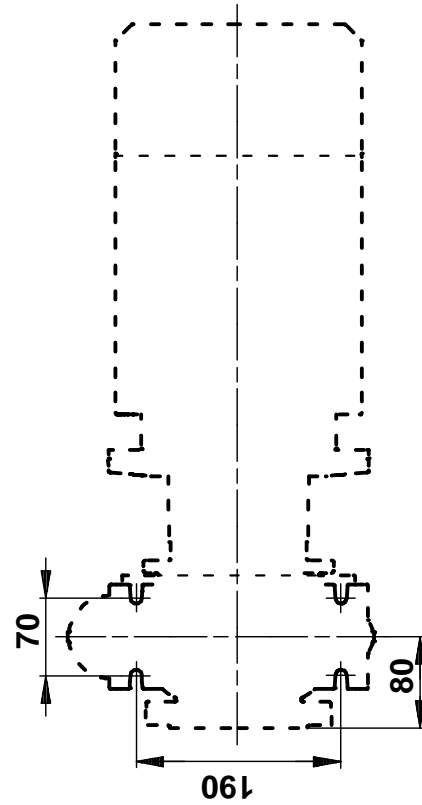
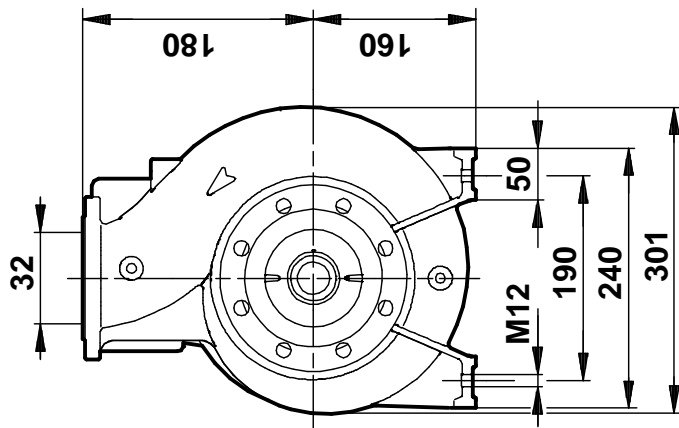


Position	Qty.	Description	Single Price
	1	<p>NB 32-200/210 Product No.: 96126246 Single-stage, centrifugal, end-suction pump.</p> <p>The pump has the following characteristics:</p> <ul style="list-style-type: none"> - flange dimensions according to EN 1092-2, - hollow steel coupling, - Cast iron volute pump housing and motor stool, - stainless steel shaft and Cast iron impeller, - Unbalanced mechanical shaft seal according to EN 12756. <p>The motor is a 3-phase AC motor.</p> <p>Liquid: Liquid temperature range: 0 .. 120 °C</p> <p>Technical: Rated flow: 27 m³/h Rated head: 52 m Actual impeller diameter: 210 mm Type of shaft seal: BAQE Curve tolerance: ISO 9906 Annex A</p> <p>Materials: Material, pump housing: Cast iron EN-JL1040 DIN W.-Nr. A48-40 B ASTM Material, impeller: Cast iron EN-JL1030 DIN W.-Nr. A48-30 B ASTM</p> <p>Installation: Maximum ambient temperature: 60 °C Maximum operating pressure: 16 bar Standard, pipe connection: DIN Size, pump inlet: DN 50 Size, pump outlet: DN 32 Pressure stage, pipe connec.: PN 16</p> <p>Electrical data: Motor type: 132SD Efficiency class: 1 Number of poles: 2 P2 : 7.5 kW Mains frequency: 50 Hz Rated voltage: 3 x 380-415 D V Rated current: 15.2 A Starting current: 1000-1110 % Cos phi - power factor: 0,87-0,80 Rated speed: 2900-2920 rpm Full load motor efficiency: 89,5 % Enclosure class (IEC 34-5): IP55 Insulation class (IEC 85): F</p> <p>Others: Net weight: 82 kg Gross weight: 89 kg Shipping volume: 0.172 m³</p>	Price on request

Description	Value
Product name:	NB 32-200/210 A-F-A BAQE
Product No:	96126246
EAN number:	5700396993270
Technical:	
Rated flow:	27 m ³ /h
Rated head:	52 m
Actual impeller diameter:	210 mm
Type of shaft seal:	BAQE
Curve tolerance:	ISO 9906 Annex A
Pump version:	A
Materials:	
Material, pump housing:	Cast iron EN-JL1040 DIN W.-Nr. A48-40 B ASTM
Material, impeller:	Cast iron EN-JL1030 DIN W.-Nr. A48-30 B ASTM
Material code:	A
Installation:	
Maximum ambient temperature:	60 °C
Maximum operating pressure:	16 bar
Standard, pipe connection:	DIN
Connect code:	F
Size, pump inlet:	DN 50
Size, pump outlet:	DN 32
Pressure stage, pipe connec.:	PN 16
Liquid:	
Liquid temperature range:	0 .. 120 °C
Electrical data:	
Motor type:	132SD
Efficiency class:	1
Number of poles:	2
P2:	7.5 kW
Mains frequency:	50 Hz
Rated voltage:	3 x 380-415 D V
Rated current:	15.2 A
Starting current:	1000-1110 %
Cos phi - power factor:	0,87-0,80
Rated speed:	2900-2920 rpm
Full load motor efficiency:	89,5 %
Enclosure class (IEC 34-5):	IP55
Insulation class (IEC 85):	F
Motor protec:	PTC
Motor No:	87312232
Motor range:	PREMIUM
Others:	
Net weight:	82 kg
Gross weight:	89 kg
Shipping volume:	0.172 m ³





Note! All units are in [mm] unless others are stated.