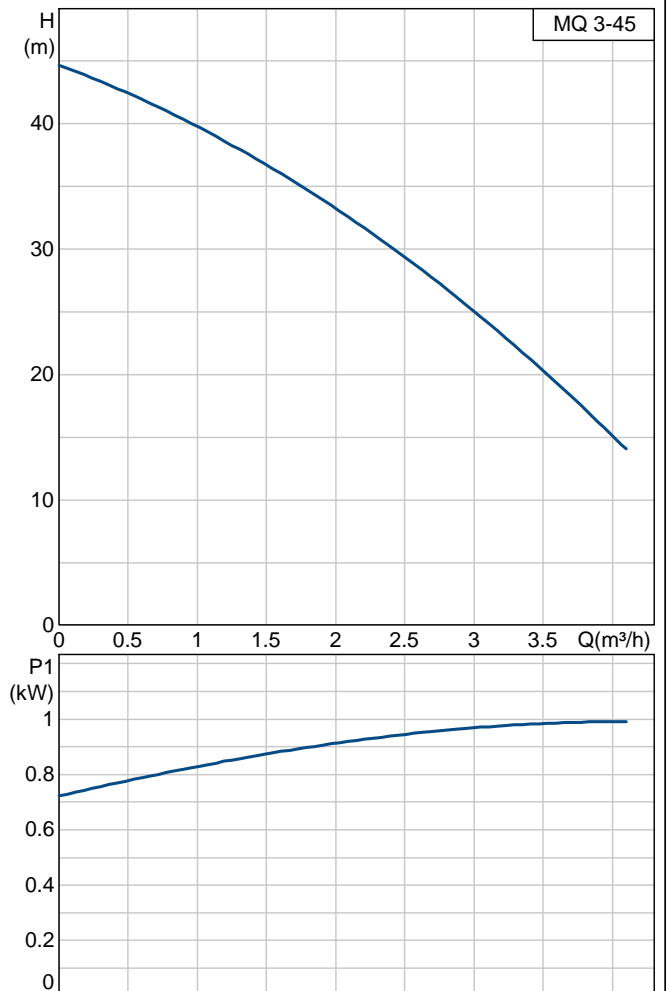
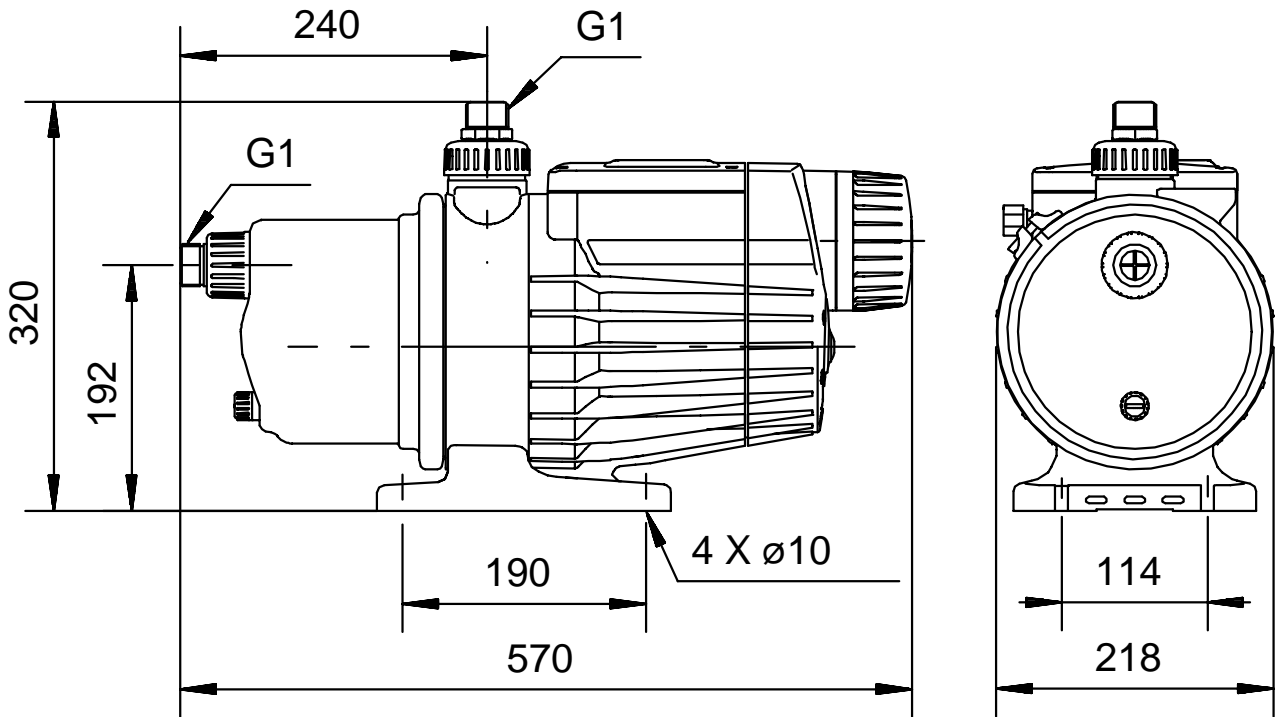


Description	Value
Product name:	MQ 3-45
Product No:	96515419
EAN number:	5700396723570
Technical:	
Rated flow:	3 m ³ /h
Rated head:	27 m
Head max:	45 m
Type of shaft seal:	BVBP
Approvals on nameplate:	CE
Curve tolerance:	ISO 9906 Annex A
Pump version:	A
Model:	B
Materials:	
Material, pump housing:	POM + 25% glass fibre
Material, impeller:	PPO + 20% glass fibre-PTFE
Material code:	A
Installation:	
Range of ambient temperature:	0 .. 45 °C
Maximum operating pressure:	7.5 bar
Connect code:	O
Size, pipe connection:	G 1
Liquid:	
Liquid temperature range:	0 .. 35 °C
Electrical data:	
Power input (P1):	1000 W
Mains frequency:	50 Hz
Rated voltage:	1 x 220-240 V
Rated current:	4.5 A
Enclosure class (IEC 34-5):	IP54
Insulation class (IEC 85):	B
Length of cable:	2 m
Type of cable plug:	NONE
Controls:	
Switch:	on/off switch included
Others:	
Net weight:	13 kg
Gross weight:	15.5 kg
Shipping volume:	0.055 m ³
Sales region:	GB



96515419 MQ 3-45



Note! All units are in [mm] unless others are stated.